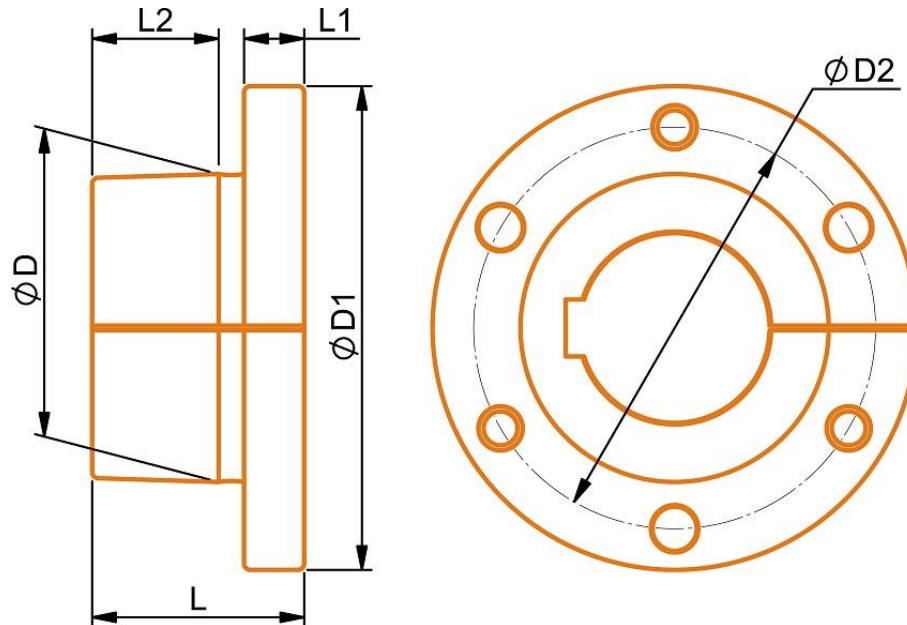




TRANSMITIMOS MUCHO MAS QUE MOVIMIENTO

RizzottoiPieragostini

Dimensiones de bujes tipo QD



Buje	Par máximo		Par de ajuste		Ø eje máximo	Tornillo cabeza hexagonal SAE G5	Dimensiones (mm)					
	N · m	in-lb	N · m	in-lb			ØD	ØD ₁	ØD ₂	L	L ₁	L ₂
C JA	110	1000	6.8	60	25	3 x 10-24 NC x 1" x 3/4"	34.9	51	42.3	27	9	15
C H	-	-	10.7	95	30	2 x 1/4"-20 NC x 1 1/2" x 1"	41.3	64	50.8	32	7	22
C SH	400	3500	12.2	108	35	3 x 1/4"-20 NC x 1 1/2" x 1"	47.5	68	57.2	32	10	16
C SDS	560	5000	12.2	108	42	3 x 1/4"-20 NC x 1 1/2" x 1"	55.7	81	68.3	34	11	18
C SD	560	5000	12.2	108	42	3 x 1/4"-20 NC x 2" x 1 1/2"	55.7	81	68.3	46	11	30
C SK	800	7000	20.3	180	55	3 x 5/16"-18 NC x 2" x 1 1/2"	71.6	99	84.1	48	12.5	30.5
C SF	1250	11000	40.7	360	65	3 x 3/8"-16 NC x 2 1/4" x 1 3/4"	79.4	118	98.4	51	12.5	32
C E	2250	20000	81.3	720	80	3 x 1/2"-13 NC x 2 3/4" x 2 1/4"	97.4	153	127	67	19	40
C F	3400	30000	102	900	90	3 x 9/16"-12 NC x 3 3/4" x 3 1/4"	112.7	168	142.9	91	21	60
C J	5100	45000	185	1620	100	3 x 5/8"-11 NC x 4 3/4" x 4 1/4"	130.8	185	158.7	114	25	79
C M	9600	85000	305	2700	120	4 x 3/4"-10 NC x 7" x 1 3/4"	165.1	229	200	172	32	130
C N	17000	150000	407	3600	130	4 x 7/8"-9 NC x 8" x 2"	177.8	255	216	207	38	158
C P	28000	250000	610	5400	160	4 x 1"-8 NC x 9 1/2" x 2 1/4"	209.5	300	254	240	45	182